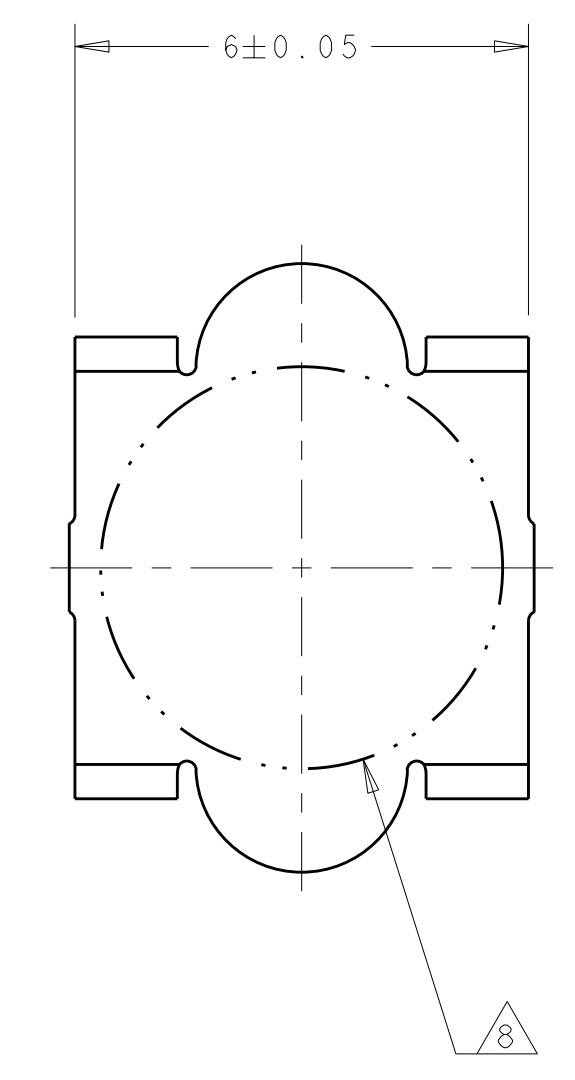
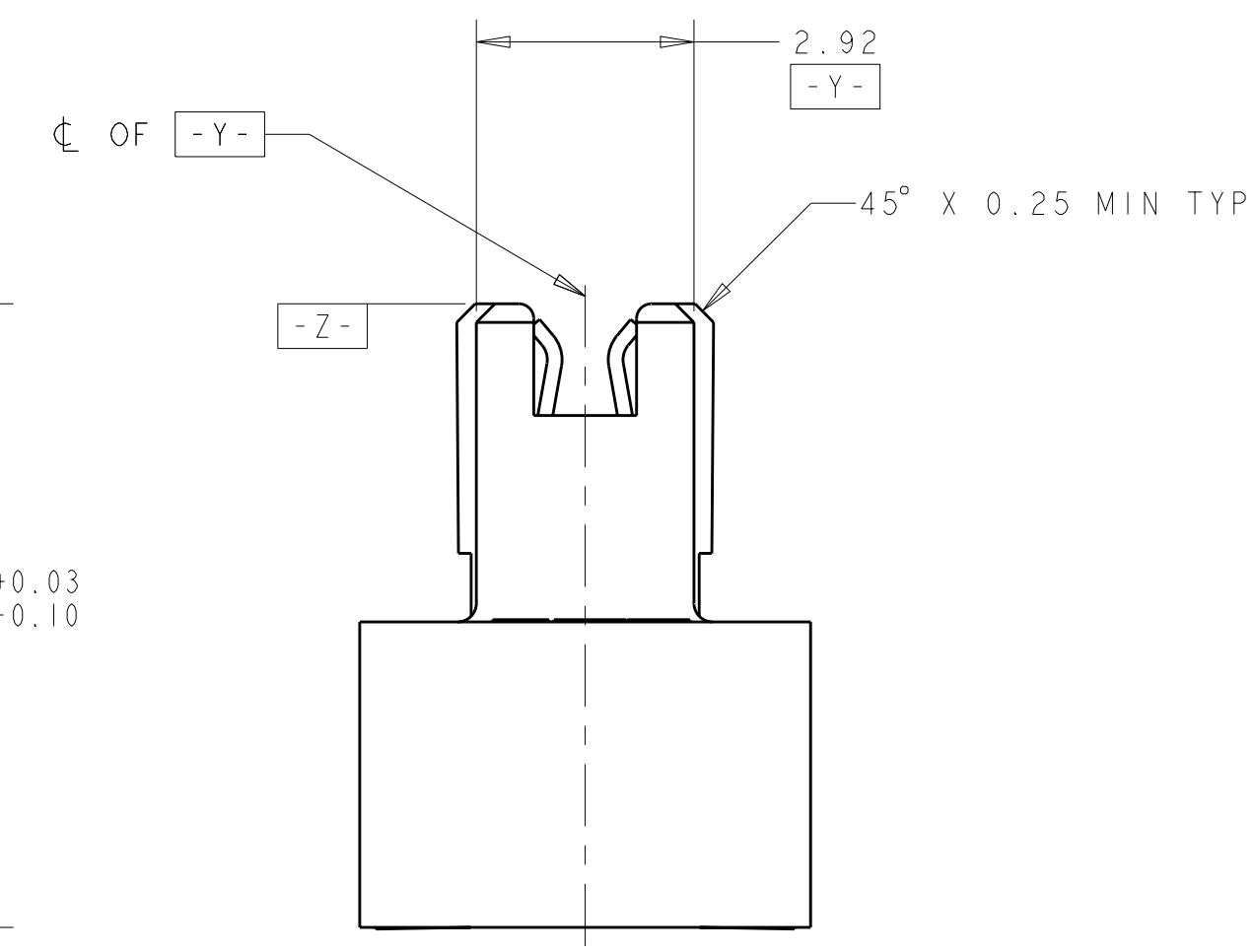
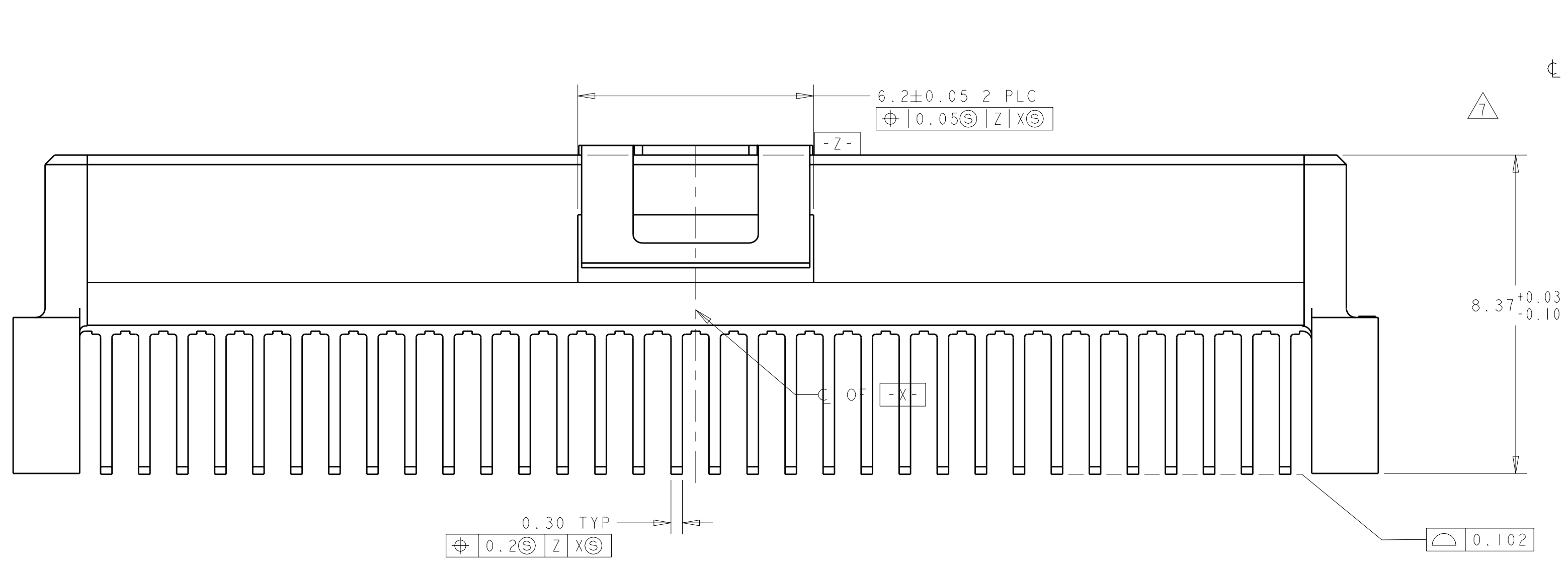
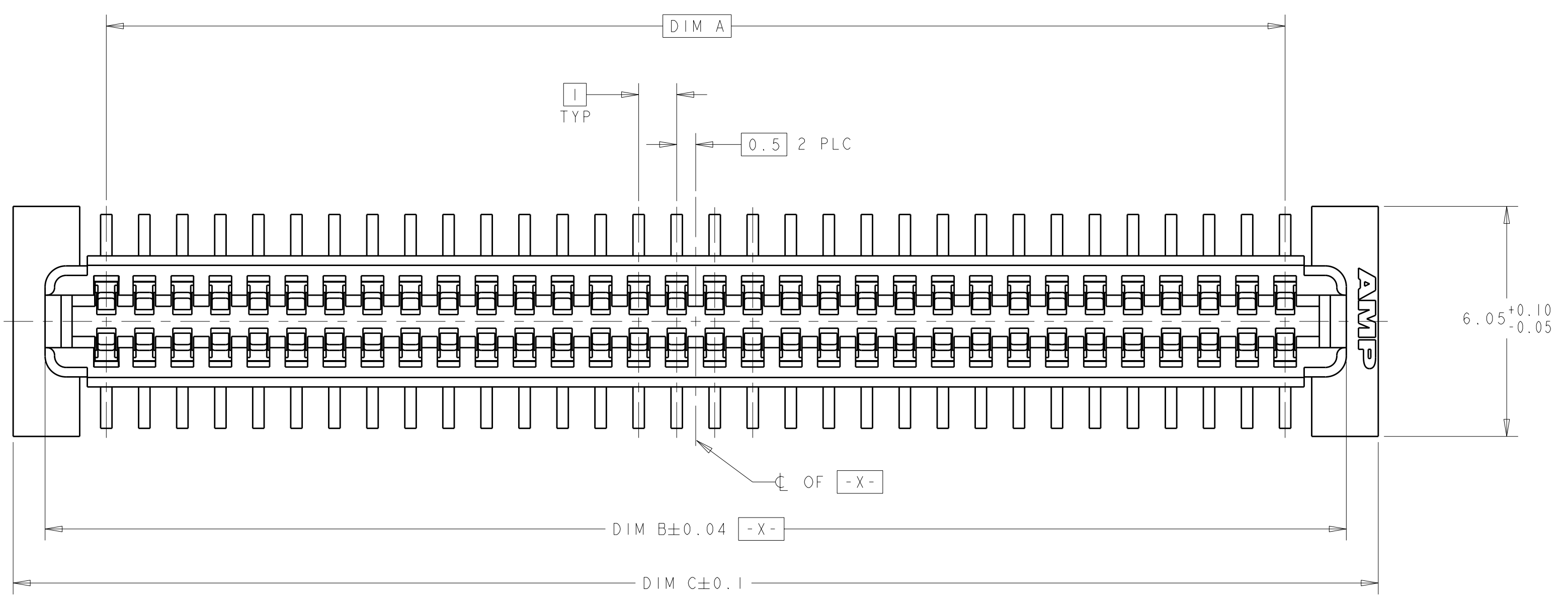
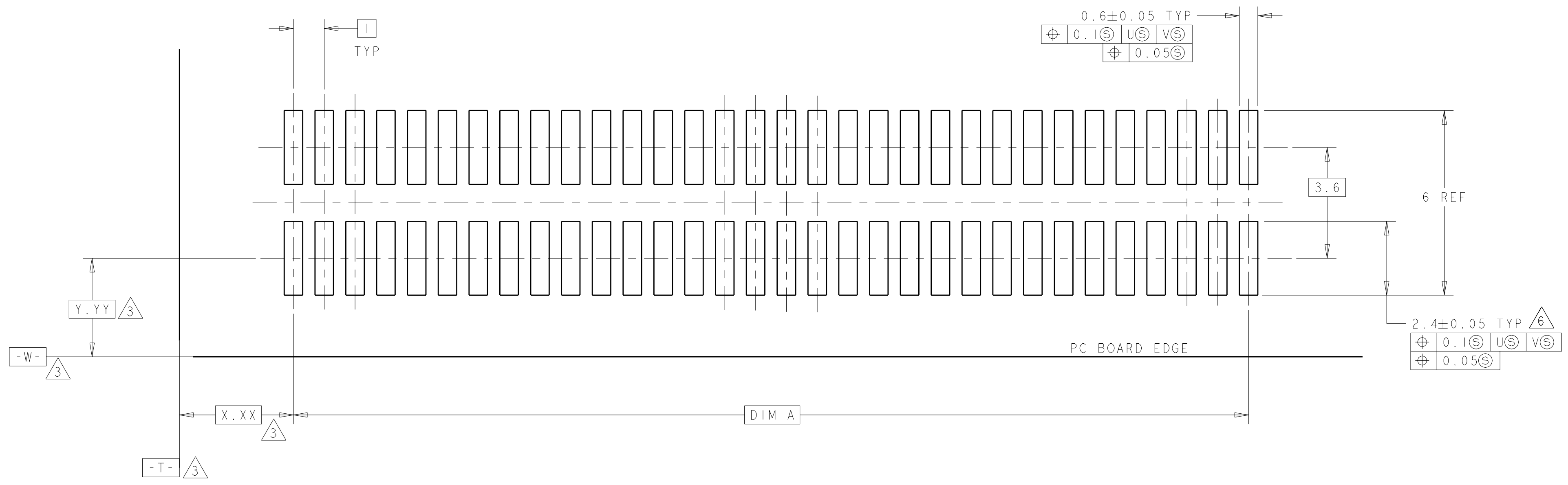


LOC	DIST	REV	DATE	BY	APP'D
AD	00	0	30SEP2004	BC	RW
		A	10JUL2006	DH	DB



VACUUM COVER



RECOMMENDED PC BOARD LAYOUT

- 1. HOUSING MATERIAL: HIGH TEMPERATURE THERMOPLASTIC, COLOR: BLACK. CONTACT MATERIAL: PHOSPHOR BRONZE.
- 2. CONTACT FINISH: NICKEL UNDERPLATE ALL OVER, MATING SURFACES PLATED TO MEET PLI PERFORMANCE REQUIREMENTS OF INDUSTRY SPECIFICATION EIA-700AAAB, SOLDER TAILS PLATED TIN.
- 3. DATUM LOCATIONS AND BASIC DIMENSIONS TO BE ESTABLISHED BY THE CUSTOMER. CONSULT AMP ENGINEERING WHEN PLACING MULTIPLE CONNECTORS ON A PC BOARD.
- 4. PACKAGED IN TAPE ON REEL PER EIA-481.
- 5. VACUUM COVER DESIGNED FOR 4mm DIA. NOZZLE. COVER TO BE REMOVED AFTER SOLDERING. VACUUM COVER OMITTED FROM SOME VIEWS FOR DIMENSIONAL CLARITY.
- 6. SHORTER SOLDER LANDS MAY BE USED PER EIA 700AAAB, HOWEVER 2.4 LENGTH ASSURES OPTIMUM SOLDER FILLET REGARDLESS OF MANUFACTURER OF CONNECTOR.
- 7. REFERRED TO AS DIM H = 8.3 ± 0.1 IN EIA 700AAAB SPECIFICATION.
- 8. 5.5 MIN DIAMETER TARGET AREA FOR VACUUM PICK-UP.
- 9. CONTACT FINISH: 0.00381 MINIMUM MATTE TIN PER ASTM B 545 ON SOLDER AREA; 0.00127 MINIMUM GOLD PER ASTM B 488 ON MATING AREA, BOTH OVER 0.00127 MINIMUM NICKEL PER SAE-AMS-QQ-N-290 ON ENTIRE CONTACT.

FINISH	DIM C	DIM B	DIM A	MATING CONNECTOR	STACK HGTS	POS	PART NO
1	45.9	44.22	41	5120534-2	13	84	1-5120530-2
2	35.9	34.22	31	5120534-1	13	64	1-5120530-1
3	45.9	44.22	41	5120534-2	13	84	5120530-2
4	35.9	34.22	31	5120534-1	13	64	5120530-1

DIMENSIONS: mm TOLERANCES UNLESS OTHERWISE SPECIFIED: 9 PLC ± 2 PLC ±0.03 5 PLC ±0.003 4 PLC ± ANGLES ±0°-1'		DIMENSIONS: mm TOLERANCES UNLESS OTHERWISE SPECIFIED: 9 PLC ± 2 PLC ±0.03 5 PLC ±0.003 4 PLC ± ANGLES ±0°-1'		DIMENSIONS: mm TOLERANCES UNLESS OTHERWISE SPECIFIED: 9 PLC ± 2 PLC ±0.03 5 PLC ±0.003 4 PLC ± ANGLES ±0°-1'		DIMENSIONS: mm TOLERANCES UNLESS OTHERWISE SPECIFIED: 9 PLC ± 2 PLC ±0.03 5 PLC ±0.003 4 PLC ± ANGLES ±0°-1'	
MATERIAL: SEE TABLE		FINISH: SEE TABLE		DWG: B. CARBO CHK: R. WERTZ APP'D: R. WERTZ		30SEP04 30SEP04 30SEP04	
CUSTOMER DRAWING		SCALE: 10:1		SHEET 1 OF 1		REV A	